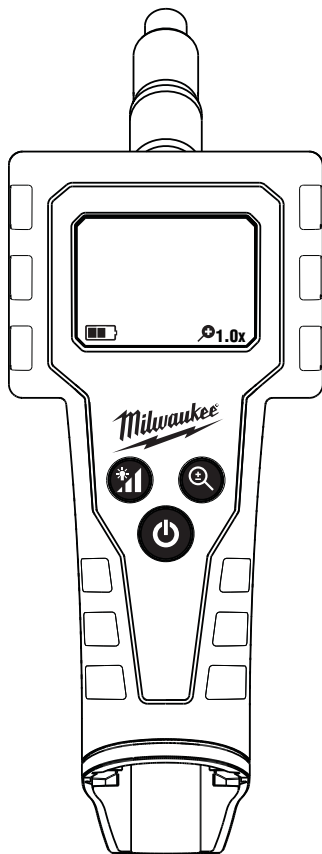




**OPERATOR'S MANUAL
MANUEL de L'UTILISATEUR
MANUAL del OPERADOR**



**Cat. No.
No de Cat.
2310-21**

**12 Volt Digital Inspection Camera
Caméra d'inspection numérique de 12 V
Cámara para inspección digital 12 voltios**

***TO REDUCE THE RISK OF INJURY, USER MUST READ OPERATOR'S MANUAL.
AFIN DE RÉDUIRE LE RISQUE DE BLESSURES, L'UTILISATEUR DOIT LIRE LE
MANUEL DE L'UTILISATEUR.
PARA REDUCIR EL RIESGO DE LESIONES, EL USUARIO DEBE LEER EL MANUAL
DEL OPERADOR.***

GENERAL POWER TOOL SAFETY WARNINGS



WARNING

READ ALL INSTRUCTIONS. FAILURE TO FOLLOW ALL INSTRUCTIONS.

Failure to follow the warnings and instructions may result in electric shock, fire and/or serious injury.

Save all warnings and instructions for future reference

WORK AREA SAFETY

- **Keep work area clean and well lit.** Cluttered or dark areas invite accidents.
- **Do not operate power tools in explosive atmospheres, such as in the presence of flammable liquids, gases or dust.** Power tools create sparks which may ignite the dust or fumes.
- **Do not operate power tool in an area where it could contact electrical wiring or an electrically charged object.** Contact with a “live” wire or object will make exposed metal parts of the tool “live” and shock the operator.
- **Do not operate power tool near moving machinery.** The cable can be tangled in moving parts, pulling in the power tool and your hands and arms.
- **Do not use near any heat sources** such as radiators, heat registers, stoves, or other apparatus (including amplifiers) that produce heat.
- **Keep children and bystanders away while operating a power tool.** Distractions can cause you to lose control.

ELECTRICAL SAFETY

- **Do not expose power tools to rain or wet conditions.** Water entering a power tool will increase the risk of electric shock. Dry hands before turning tool on or off and before removing or installing the battery pack.

PERSONAL SAFETY

- **Stay alert, watch what you are doing and use common sense when operating a power tool. Do not use a power tool while you are tired or under the influence of drugs, alcohol or medication.** A moment of inattention while operating power tools may result in serious personal injury.

- **Use personal protective equipment. Always wear eye protection.** Protective equipment such as dust mask, non-skid safety shoes, hard hat, or hearing protection used for appropriate conditions will reduce personal injuries.
- **Do not overreach. Keep proper footing and balance at all times.** This enables better control of the power tool in unexpected situations.

POWER TOOL USE AND CARE

- **This Visual Inspection Camera is not intended for medical use or personal inspection.**
- **Store idle power tools out of the reach of children and do not allow persons unfamiliar with the power tool or these instructions to operate the power tool.** Power tools are dangerous in the hands of untrained users.
- **Maintain power tools. Check for misalignment or binding of moving parts, breakage of parts and any other condition that may affect the power tool operation. Do not use if power tool smokes or gives off fumes. If damaged, have the power tool repaired before use.** Many accidents are caused by poorly maintained power tools.
- **Use the power tool, accessories and tool bits etc., in accordance with these instructions, taking into account the working conditions and the work to be performed.** Use of the power tool for operations different from those intended could result in a hazardous situation. Only use accessories specifically recommended for this tool. Others may be hazardous.
- **Clean only with dry cloth.** Certain cleaning agents and solvents are harmful to plastics and other insulated parts. Some of these include: gasoline, turpentine, lacquer thinner, paint thinner, chlorinated clean-

ing solvents, ammonia and household detergents containing ammonia. Clean dust and debris from vents. Keep the apparatus handle clean, dry and free of oil or grease.

- **Always remove the battery pack before cleaning.**

BATTERY TOOL USE AND CARE

- **This tool is designed to be powered by a 12 volt MILWAUKEE battery pack** (Cat. No. 48-11-2401). Do not attempt to use with any other voltage or power supply.
- **Recharge only with the charger specified by the manufacturer.** A charger that is suitable for one type of battery pack may create a risk of fire when used with another battery pack.
- **Use power tools only with specifically designated battery packs.** Use of any other battery packs may create a risk of injury and fire.
- **When battery pack is not in use, keep it away from other metal objects like paper clips, coins, keys, nails, screws, or other small metal objects that can make a connection from one terminal to another.** Shorting the battery terminals together may cause burns or a fire.
- **Under abusive conditions, liquid may be ejected from the battery, avoid contact. If contact accidentally occurs, flush with water. If liquid contacts eyes, additionally seek medical help.** Liquid ejected from the battery may cause irritation or burns.

SERVICE

- **Contact a MILWAUKEE service facility for ALL repairs. Have your power tool serviced by a qualified repair person using only identical replacement parts.** This will ensure that the safety of the power tool is maintained.
- **Never disassemble the power tool or try to do any rewiring on the power tool's electrical system.**

SPECIFIC SAFETY RULES

- **Maintain labels and nameplates.** These carry important information. If unreadable or missing, contact a MILWAUKEE service facility for a free replacement.

- **WARNING:** Changes or modifications to this unit not expressly approved by the party responsible for compliance could void the user's authority to operate the equipment.

Use of shielded cable is required to comply with Class B limits in Subpart B of Part 15 of the FCC rules.



Operation is subject to the following two conditions:

1. This device may not cause harmful interference.
2. This device must accept any interference received including interference that may cause undesired operation.

This equipment has been tested and found to comply with the limits for a Class B digital device, pursuant to Part 15 of the FCC Rules. These limits are designed to provide reasonable protection against harmful interference in a residential installation. This equipment generates, uses and can radiate radio frequency energy and, if not installed and used in accordance with the instructions, may cause harmful interference to radio communications.

However, there is no guarantee that interference will not occur in a particular installation. If this equipment does cause harmful interference to radio or television reception, which can be determined by turning the equipment off and on, the user is encouraged to try to correct the interference by one or more of the following measures:






- Reorient or relocate the receiving antenna.
- Increase the separation between the equipment and receiver.
- Consult the dealer or an experienced radio/TV technician for help.

Use of shielded cable is required to comply with Class B limits in Subpart B of Part 15 of the FCC rules.

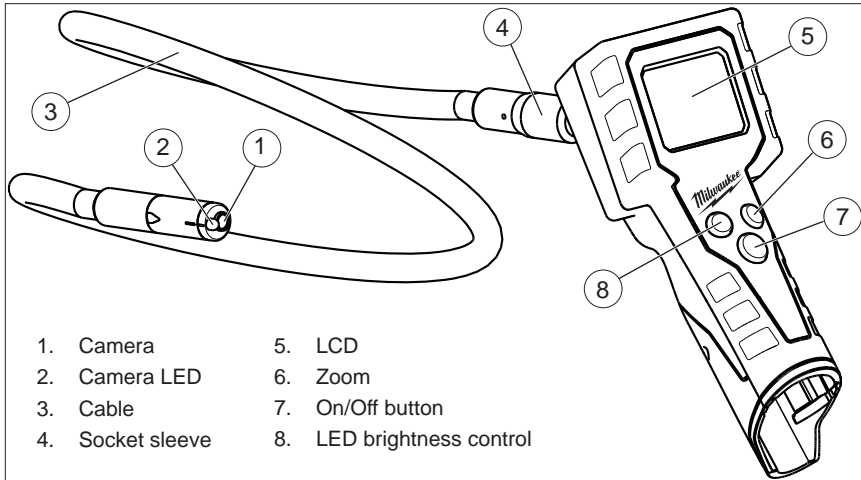
Specifications

Cat. No.	Volts
2310-21	12 DC

Symbology

	User must read operator's manual		Federal Communications Commission
	Wear eye protection		Direct Current
	To prevent electric shock, do not allow product to contact live electrical parts		

FUNCTIONAL DESCRIPTION



ASSEMBLY

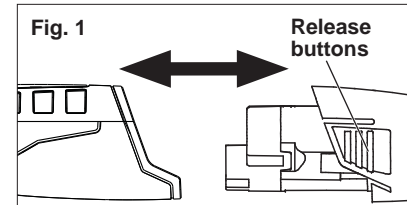
WARNING

Recharge only with the charger specified for the battery. For specific charging instructions, read the operator's manual supplied with your charger and battery.

Inserting/Removing the Battery

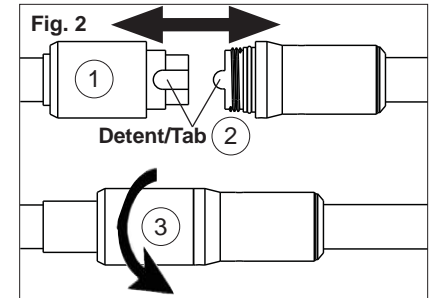
To **remove** the battery, push in the release buttons and pull the battery pack away from the tool.

To **insert** the battery, slide the pack into the body of the tool. Make sure it latches securely into place.



Connecting the Cable

1. Slide back the socket sleeve.
2. Line up the tab on the cable with the detent on the socket.
3. Press the socket and cable together and slide the sleeve over the connection. Tighten the sleeve securely.



OPERATION

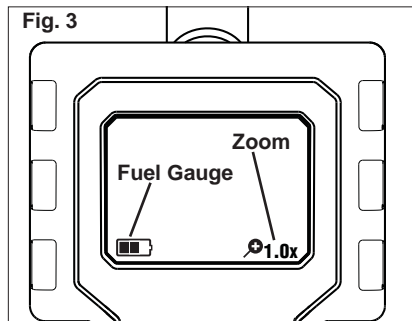
WARNING

To reduce the risk of injury, wear safety goggles or glasses with side shields. Always remove battery pack before changing accessories or making adjustments.

Turning On/Off


Press the On/Off button to turn the tool on and off.

The tool will shut off automatically if unused for 5 minutes.



Fuel Gauge

The fuel gauge is displayed in the lower left corner of the LCD while the tool is on.

 Full Battery Life

 2/3 Battery Life

 1/3 Battery Life



Zoom

The current zoom level is displayed in the lower right corner of the LCD while the tool is on.

To increase the zoom by 0.1 increments between 1.0 and 2.0, press the zoom button. To scroll through the zoom levels, press and hold the zoom button.

Camera LED

The camera LED can be adjusted to 3 levels of brightness and turned off. Press the camera LED button to increase the level of brightness or turn it off.

WARNING

To reduce the risk of explosion, electric shock and property damage, always check the work area before beginning a job. Do not allow cable to contact electrical, chemical, or moving hazards.

Behind walls: Shut off circuit breakers to the entire area.

Inside Pipes: Ensure there is no electrical charge to the pipes before beginning inspection. Do not allow liquid to flow down cable and into tool.

Auto use: Turn off the engine and allow to cool before beginning inspection. Do not allow the visual inspection camera or cable to contact oil, gas, or other corrosive materials.

CAUTION

To reduce the risk of damage to the tool, do not use excessive force or "kink" the cable. Do not use in areas where visual inspection camera and cable will contact corrosive or oily substances.

Do not use the cable to clear clogs or move obstructions. This is not a drain cleaner!

Using the Visual Inspection Camera

1. Adjust the cable to best fit the opening.
2. After checking the workspace for hazards, insert the cable and adjust the zoom and lighting as necessary.

MAINTENANCE

WARNING

To reduce the risk of injury, always unplug the charger and remove the battery pack from the charger or tool before performing any maintenance. Never disassemble the tool, battery pack or charger. Contact a MILWAUKEE service facility for ALL repairs.

Keep your tool, battery pack and charger in good repair by adopting a regular maintenance program. After six months to one year, depending on use, return the tool, battery pack and charger to a MILWAUKEE service facility for:

- Lubrication
- Mechanical inspection and cleaning (gears, spindles, bearings, housing, etc.)
- Electrical inspection (battery pack, charger, motor)
- Testing to assure proper mechanical and electrical operation

Maintaining Tool

If the tool does not start or operate at full power with a fully charged battery pack, clean the contacts on the battery pack. If the tool still does not work properly, return the tool, charger and battery pack, to a MILWAUKEE service facility for repairs.

WARNING

To reduce the risk of personal injury and damage, never immerse your tool, battery pack or charger in liquid or allow a liquid to flow inside them.

Cleaning

Clean dust and debris from charger and tool vents. Keep tool handles clean, dry and free of oil or grease. Use only mild soap and a damp cloth to clean the tool, battery pack and charger since certain cleaning agents and solvents are harmful to plastics and other insulated parts. Some of these include gasoline, turpentine, lacquer thinner, paint thinner, chlorinated cleaning solvents, ammonia and household detergents containing ammonia. Never use flammable or combustible solvents around tools.

Repairs

For repairs, return the tool, battery pack and charger to the nearest service center listed on the back cover of this operator's manual.

ACCESSORIES

WARNING

Always remove battery pack before changing or removing accessories. Only use accessories specifically recommended for this tool. Others may be hazardous.

For a complete listing of accessories refer to your MILWAUKEE Electric Tool catalog or go on-line to www.milwaukeetool.com. To obtain a catalog, contact your local distributor or a service center listed on the back cover of this operator's manual.

3' Extension Cable
Cat. No. 48-53-0110

FIVE YEAR TOOL LIMITED WARRANTY

Every *MILWAUKEE* electric power tool (including battery charger) is warranted to the original purchaser only to be free from defects in material and workmanship. Subject to certain exceptions, *MILWAUKEE* will repair or replace any part on a electric power tool which, after examination, is determined by *MILWAUKEE* to be defective in material or workmanship for a period of five (5) years* after the date of purchase. Return the electric power tool and a copy of proof of purchase to a *MILWAUKEE* factory Service/Sales Support Branch location or *MILWAUKEE* Authorized Service Station, freight prepaid and insured, are requested for this warranty to be effective. This warranty does not apply to damage that *MILWAUKEE* determines to be from repairs made or attempted by anyone other than *MILWAUKEE* authorized personnel, misuse, alterations, abuse, normal wear and tear, lack of maintenance, or accidents.

* The warranty period for Hoists (lever, hand chain, & electric chain hoists), all Ni-CD battery packs, Work Lights (cordless flashlights), Job Site Radios, and Trade Titan™ Industrial Work Carts is one (1) year from the date of purchase. *The warranty period for Li-Ion battery packs that do not contain V™-technology – 4.0 volts through 18.0 volts - is two (2) years from the date of purchase.

*There is a separate warranty for V™-technology Li-Ion Battery Packs V™18 volts and above that accompany V™-technology cordless power tools:

*Every *MILWAUKEE* V™-technology Li-Ion Battery Pack 18 volts or above is covered by an initial 1000 Charges/2 Years free replacement warranty. This means that for the earlier of the first 1000 charges or two (2) years from the date of purchase/first charge, a replacement battery will be provided to the customer for any defective battery free of charge. Thereafter, customers will also receive an additional warranty on a pro rata basis up to the earlier of the first 2000 charges or five (5) Years from the date of purchase/first charge. This means that every customer gets an additional 1000 charges or three (3) years of pro rata warranty on the V™-technology Li-Ion Battery Pack 18 volts or above depending upon the amount of use. During this additional warranty period, the customer pays for only the useable service received over and above the first 1000 Charges/2 years, based on the date of first charge and number of charges found on the battery pack via Milwaukee's V™-technology Service Reader.

Warranty Registration is not necessary to obtain the applicable warranty on a *MILWAUKEE* product. However, proof of purchase in the form of a sales receipt or other information deemed sufficient by *MILWAUKEE*, is requested. The manufacturing date of the product will be used to determine the warranty period if no proof of purchase is provided at the time warranty service is requested.

ACCEPTANCE OF THE EXCLUSIVE REPAIR AND REPLACEMENT REMEDIES DESCRIBED HEREIN IS A CONDITION OF THE CONTRACT FOR THE PURCHASE OF EVERY *MILWAUKEE* PRODUCT. IF YOU DO NOT AGREE TO THIS CONDITION, YOU SHOULD NOT PURCHASE THE PRODUCT. IN NO EVENT SHALL *MILWAUKEE* BE LIABLE FOR ANY INCIDENTAL, SPECIAL, CONSEQUENTIAL OR PUNITIVE DAMAGES, OR FOR ANY COSTS, ATTORNEY FEES, EXPENSES, LOSSES OR DELAYS ALLEGED TO BE AS A CONSEQUENCE OF ANY DAMAGE TO, FAILURE OF, OR DEFECT IN ANY PRODUCT INCLUDING, BUT NOT LIMITED TO, ANY CLAIMS FOR LOSS OF PROFITS. THIS WARRANTY IS EXCLUSIVE AND IN LIEU OF ALL OTHER WARRANTIES OR CONDITIONS, WRITTEN OR ORAL, EXPRESSED OR IMPLIED. WITHOUT LIMITING THE GENERALITY OF THE FOREGOING, *MILWAUKEE* DISCLAIMS ANY IMPLIED WARRANTY OF MERCHANTABILITY OR FITNESS FOR A PARTICULAR USE OR PURPOSE, AND ALL OTHER WARRANTIES.

This warranty applies to product sold in the U.S.A., Canada and Mexico only.

RÈGLES GÉNÉRALES DE SÉCURITÉ POUR LES OUTILS



ADVERTENCIA

LEA TODAS LAS ADVERTENCIAS E INSTRUCCIONES DE SEGURIDAD.

Si no sigue todas las advertencias e instrucciones, se pueden provocar una descarga eléctrica, un incendio o lesiones graves.

GUARDE TODAS LAS ADVERTENCIAS E INSTRUCCIONES PARA CONSULTARLAS EN EL FUTURO.

SÉCURITÉ DU LIEU DE TRAVAIL

- **Veillez à ce que l'aire de travail soit propre et bien éclairée.** Le désordre et le manque de lumière favorisent les accidents.
- **Ne pas utiliser un outil électrique dans un environnement propice aux explosions, par exemple en présence de liquides, de gaz ou de poussières inflammables.** Les outils électriques génèrent des étincelles qui peuvent enflammer la poussière ou les fumées.
- **Ne pas utiliser l'outil électrique dans un endroit où celui-ci risque d'entrer en contact avec le câblage électrique ou un objet porteur d'une charge électrique. Le contact avec un fil sous tension « électrifie » les pièces métalliques exposées de l'outil et peut électrocuter l'utilisateur.**
- **Ne pas faire fonctionner l'outil électrique à proximité de la machinerie en mouvement.** Le câble peut s'emmêler dans les pièces en mouvement, tirant ainsi sur l'outil et entraînant les mains et les bras de l'utilisateur.
- **Ne pas faire fonctionner l'outil électrique à proximité de sources de chaleurs** comme des radiateurs, des registres de chaleur, des poêles ou d'autres appareils (notamment des amplificateurs) produisant de la chaleur.
- **S'assurer que les enfants et les curieux se trouvent à une bonne distance au moment d'utiliser ce produit.** Les distractions peuvent résulter en une perte de contrôle.

SÉCURITÉ ÉLECTRIQUE

- **Ne pas utiliser l'outil électrique sous la pluie ou dans des endroits humides.** L'infiltration d'eau dans l'outil électrique augmente les risques de décharge électrique. Bien se sécher les mains avant de mettre l'outil en marche ou à l'arrêt ou avant de retirer ou d'installer la batterie.

SÉCURITÉ INDIVIDUELLE

- **Rester vigilant, se concentrer sur son travail et faire preuve de bon sens au moment d'utiliser un outil électrique. Ne pas utiliser cet appareil en cas de fatigue ou sous l'influence de l'alcool, de drogues ou de médicaments.** Un instant d'inattention suffit pour entraîner des blessures graves.
- **Porter de l'équipement de protection de qualité professionnelle.** Toujours porter une protection oculaire. Selon les conditions, porter aussi un masque antipoussières, des bottes de sécurité antidérapantes, un casque protecteur ou une protection auditive afin de réduire les blessures.
- **Ne pas travailler hors de portée. Se tenir bien campé et en équilibre en tout temps.** Une bonne stabilité procure un meilleur contrôle de l'outil électrique en cas d'imprévu.

UTILISATION ET ENTRETIEN DE L'OUTIL ÉLECTRIQUE

- **Cette caméra d'inspection visuelle n'est pas conçue à des fins médicales ou pour procéder à des inspections corporelles.**

- **Entreposer l'outil électrique hors de la portée des enfants et interdire à quiconque de l'utiliser si la personne ne connaît pas bien le produit ou les instructions.** Les outils sont dangereux dans les mains d'utilisateurs novices.
- **Bien entretenir l'outil électrique. Être attentif à tout désalignement ou coincement des pièces en mouvement, à tout bris ou à toute autre condition préjudiciable au bon fonctionnement de l'outil. Ne pas utiliser le produit s'il émet de la fumée. En cas de dommages, faire réparer l'outil avant de l'utiliser.** Plusieurs accidents sont causés par des produits mal entretenus.
- **Utiliser l'outil électrique, les accessoires, les grains etc. conformément à ces instructions en tenant compte des conditions de travail et de la tâche à effectuer. L'utilisation de cet outil électrique pour effectuer une opération pour laquelle il n'est pas conçu peut occasionner une situation dangereuse.** Utiliser seulement des accessoires conçus spécialement pour cet outil. L'utilisation d'autres types d'accessoires peut s'avérer dangereuse.
- **Nettoyer seulement l'outil avec un chiffon sec.** Certains agents de nettoyage et certains solvants peuvent détériorer le plastique et l'isolation des pièces. En voici des exemples : l'essence, la térébenthine, les diluants à laque ou à peinture, les solvants chlorés, l'ammoniaque et les détergents à usage domestique qui en contiennent. Nettoyer les événements de l'outil des débris et de la poussière. Garder les poignées de l'outil propres, sèches et exemptes d'huile ou de graisse.
- **Toujours retirer la cartouche de batterie avant de procéder au nettoyage de l'outil.**

UTILISATION ET ENTRETIEN DE LA BATTERIE

- **Cet outil fonctionne avec une batterie de 12 V de MILWAUKEE (N° de cat.: 48-11-2401).** Ne pas tenter d'utiliser le produit à une autre tension ou avec un autre type d'alimentation.
- **Ne recharger la batterie qu'avec le chargeur spécifié par le fabricant.** Un chargeur qui convient à un type de batterie peut créer un risque d'incendie s'il est utilisé avec un autre type de batterie.
- **N'utiliser l'outil électrique qu'avec une batterie recommandée.** L'utilisation de toute autre batterie peut créer un risque de blessures et d'incendie.
- **Lorsque la batterie n'est pas utilisée, la tenir éloignée des objets en métal tels que les trombones, les pièces de monnaie, les clés, les clous, les vis ou d'autres petits objets métalliques qui pourraient connecter les bornes.** Le court-circuitage des bornes de la batterie peut entraîner des brûlures ou un incendie.
- **Éviter tout contact avec le liquide pouvant être éjecté de la batterie en cas de manutention abusive. En cas de contact accidentel, rincer abondamment avec de l'eau. Si le liquide entre en contact avec les yeux, consulter un médecin.** L'électrolyte qui s'échappe de la batterie peut causer des démangeaisons ou des brûlures.

ENTRETIEN

- **Pour toute réparation, communiquer avec un centre de service MILWAUKEE.** Confier la réparation de l'outil électrique à un réparateur qualifié qui utilise des pièces de rechange identiques aux pièces d'origine, ce qui préservera la sûreté de l'outil électrique.
- **Ne jamais démonter l'outil électrique ou tenter de procéder à la réfection du câblage électrique de son système électrique.**

RÈGLES DE SÉCURITÉ SPÉCIFIQUES

- **Maintenir en l'état les étiquettes et les plaques d'identification.** Des informations importantes y figurent. Si elles sont illisibles ou manquantes, contacter un centre de services et d'entretien MILWAUKEE pour un remplacement gratuit.
- **AVERTISSEMENT :** Toute modification apportée à l'unité qui n'a pas été explicitement approuvée par le responsable de la conformité du produit pourrait suffire à révoquer le droit de l'utilisateur à se servir de l'équipement.

Il est nécessaire d'utiliser du câble blindé afin de respecter les normes de la classe B, selon la sous-partie B de la partie 15 des règles de la Federal Communications Commission (FCC).



Le fonctionnement est assujéti aux deux conditions suivantes :

1. Cet appareil ne doit produire aucun brouillage préjudiciable.
2. L'appareil doit fonctionner en dépit de tout brouillage produit, y compris le brouillage pouvant mener à une opération non désirée.

Spécifications

No de cat.	Volts
2310-21	12 c.d.

Pictographie

	L'utilisateur doit lire le manuel d'utilisation		Federal Communications Commission (FCC)
	Porter une protection oculaire		Tension c.d. seul.
	Pour éviter les décharges électriques, faire en sorte que le produit n'entre pas en contact avec des composants électriques sous tension.		

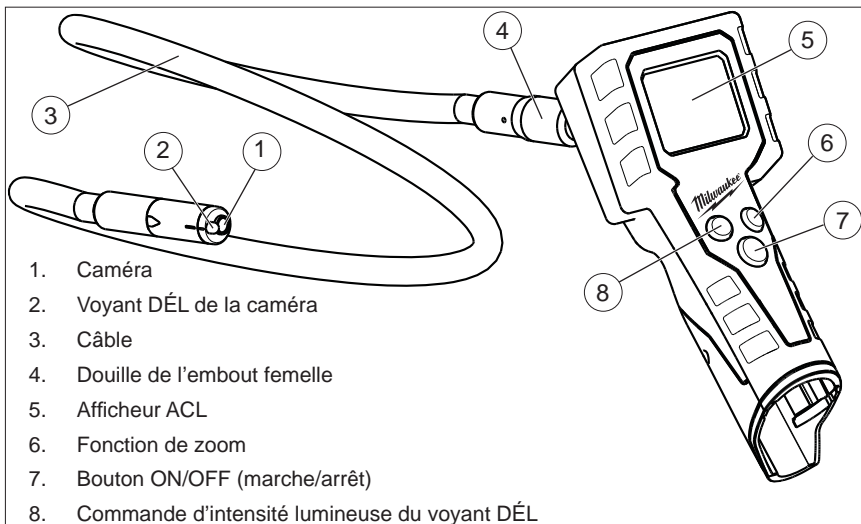
Après avoir fait subir un essai à l'équipement, il a été déterminé que celui-ci est conforme aux normes relatives à un appareil numérique de classe B, selon la partie 15 des règles de la FCC. Ces normes ont été fixées afin de fournir une protection raisonnable contre un brouillage préjudiciable dans une installation résidentielle. Cet équipement produit et utilise de l'énergie RF. S'il n'est pas installé et utilisé conformément aux instructions, il peut brouiller de manière préjudiciable les radiocommunications.

Toutefois, des interférences peuvent se produire dans une installation donnée. Si cet équipement ne produit aucun brouillage préjudiciable à la réception des signaux de radio ou de télévision, ce qui peut être déterminé en allumant et en éteignant l'appareil, on recommande à l'utilisateur de corriger l'interférence par l'une des mesures suivantes :

- Réorienter ou déplacer l'antenne de réception;
- Augmenter l'espacement entre l'équipement et le récepteur;
- Consulter le marchand ou un technicien expérimenté en radiotélédiffusion pour obtenir de l'aide.

Il est nécessaire d'utiliser du câble blindé afin d'assurer la conformité aux normes de la classe B, selon la sous-partie B de la partie 15 des règles de la FCC.

DESCRIPTION FONCTIONNELLE



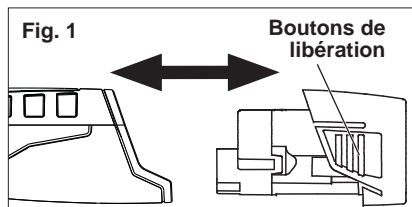
1. Caméra
2. Voyant DÉL de la caméra
3. Câble
4. Douille de l'embout femelle
5. Afficheur ACL
6. Fonction de zoom
7. Bouton ON/OFF (marche/arrêt)
8. Commande d'intensité lumineuse du voyant DÉL

MONTAGE DE L'OUTIL

AVERTISSEMENT

Ne recharger la batterie qu'avec le chargeur spécifié. Pour prendre connaissance des instructions relatives à la charge, lire le manuel d'utilisation fourni avec le chargeur et la batterie.

Insertion et retrait de la batterie

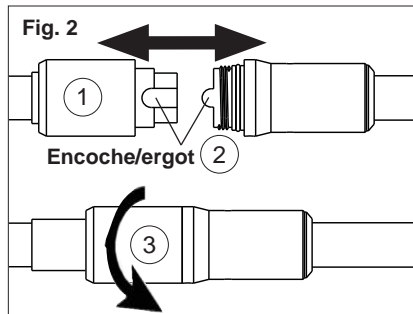


Pour **retirer** la batterie, appuyer sur les boutons de relâchement puis extraire la batterie de l'outil.

Pour **insérer** la batterie, la glisser dans le corps de l'outil. S'assurer qu'elle y est bien insérée.

Raccord du câble

1. Glisser la douille de l'embout femelle vers l'arrière.
2. Aligner l'ergot du câble avec l'encoche de l'embout femelle.
3. Presser l'embout femelle et le câble ensemble et glisser la douille par dessus le raccord. Serrer solidement la douille.



MANIEMENT

AVERTISSEMENT

Pour minimiser les risques de blessures, portez des lunettes à coques latérales. Retirez toujours la batterie avant de changer les accessoires ou d'effectuer des réglages.

Mise en marche et à l'arrêt

Appuyer sur le bouton On/Off (marche/arrêt) afin de mettre l'outil en marche et à l'arrêt.

L'outil s'éteint automatiquement après cinq minutes d'inutilisation.

Indicateur de charge de la batterie

L'indicateur de charge de la batterie apparaît dans le coin inférieur gauche de l'afficheur ACL lorsque l'outil est en marche.

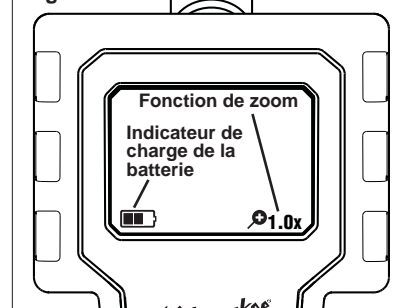
Charge pleine

2/3 de la charge

1/3 de la charge

Charge requise

Fig. 3



Fonction de zoom

Le niveau de zoom actuel apparaît dans le coin inférieur droit de l'afficheur ACL lorsque l'outil est en marche.

Pour augmenter le niveau de zoom par incréments de 0,1 entre 1 et 2, appuyer sur le bouton « Zoom ». Pour examiner les niveaux de zoom, tenir le bouton « Zoom » enfoncé.

Voyant DÉL de la caméra

Il est possible d'ajuster le voyant DÉL de la caméra selon trois niveaux d'intensité lumineuse, en plus de l'éteindre. Appuyer sur le bouton « DÉL » de la caméra afin d'augmenter le niveau d'intensité lumineuse du voyant ou de l'éteindre.



AVERTISSEMENT

Pour réduire les risques d'explosion, de décharges électriques ou de dommages matériels, toujours examiner le lieu de travail avant de débiter le travail. S'assurer que le câble n'entre pas en contact avec des composants électriques, des produits chimiques ou des pièces en mouvement.

Derrière les murs : Éteindre tous les disjoncteurs du lieu de travail.

À l'intérieur des tuyaux : S'assurer que les tuyaux ne sont pas sous tension avant de débiter l'inspection. S'assurer qu'aucun liquide ne coule le long du câble ou ne s'infiltré dans l'outil.

Mode automatique : Arrêter le moteur et le laisser refroidir avant de débiter l'inspection. S'assurer que la caméra d'inspection visuelle et le câble n'entrent pas en contact avec de l'huile, de l'essence ou d'autres substances corrosives.

ATTENTION

Pour réduire les risques de dommages matériels, ne pas manipuler le câble avec trop de vigueur et éviter de l'entortiller. Ne pas utiliser l'outil dans des endroits où ce dernier, ou ses composants (le câble, par exemple), risquent d'entrer en contact avec des substances huileuses ou corrosives.

Ne pas utiliser le câble pour retirer ou déplacer des objets représentant un obstacle. Il ne s'agit pas d'un dégorgeoir!

Utilisation de la caméra d'inspection visuelle

1. Ajuster le câble de manière à ce qu'il s'insère parfaitement dans l'ouverture.
2. Après s'être assuré que le lieu de travail est sécuritaire, insérer le câble et régler le zoom et l'intensité lumineuse selon les besoins.

MAINTENANCE



AVERTISSEMENT

Pour minimiser les risques de blessures corporelles, débranchez le chargeur et retirez la batterie du chargeur ou de l'outil avant d'y effectuer des travaux d'entretien. Ne démontez jamais l'outil, la batterie ou le chargeur. Pour toute réparation, consultez un centre de service **MILWAUKEE** accrédité.

Gardez l'outil, la batterie et le chargeur en bon état en adoptant un programme d'entretien ponctuel. Après une période de six mois à un an, selon l'utilisation, renvoyez l'outil, la batterie et le chargeur à un centre de service **MILWAUKEE** accrédité pour les services suivants:

- Lubrification
- Inspection et nettoyage de la mécanique (engrenages, pivots, coussinets, boîtier etc.)
- Inspection électrique (batterie, chargeur, moteur)
- Vérification du fonctionnement électromécanique

Entretien de l'outil

Si l'outil ne démarre pas ou ne fonctionne pas à pleine puissance alors qu'il est branché sur une batterie complètement chargée, nettoyez les points de contact entre la batterie et l'outil. Si l'outil ne fonctionne toujours pas correctement, renvoyez l'outil, le chargeur et la batterie à un centre de service **MILWAUKEE** accrédité, afin qu'on en effectue la réparation (voir "Réparations").



AVERTISSEMENT

Pour minimiser les risques de blessures ou de dommages à l'outil, n'immergez jamais l'outil, la batterie ou le chargeur et ne laissez pas de liquide s'y infiltrer.

Nettoyage

Débarrassez les événements du chargeur et de l'outil des débris et de la poussière. Gardez les poignées de l'outil propres, à sec et exemptes d'huile ou de graisse. Le nettoyage de l'outil, du chargeur et de la batterie doit se faire avec un linge humide et un savon doux. Certains nettoyants tels l'essence, la térébenthine, les diluants à laque ou à peinture, les solvants chlorés, l'ammoniac et les détergents d'usage domestique qui en contiennent pourraient détériorer le plastique et l'isolation des pièces. Ne laissez jamais de solvants inflammables ou combustibles auprès de l'outil.

Réparations

Pour les réparations, retournez outil, batterie et chargeur en entier au centre-service le plus près, selon la liste apparaissant à la dernière page de ce manuel.

ACCESSOIRES



AVERTISSEMENT

Retirez toujours la batterie avant de changer ou d'enlever les accessoires. L'utilisation d'autres accessoires que ceux qui sont spécifiquement recommandés pour cet outil peut comporter des risques.

Pour une liste complète des accessoires, prière de se reporter au catalogue **MILWAUKEE** Electric Tool ou visiter le site internet www.milwaukeetool.com. Pour obtenir un catalogue, il suffit de contacter votre distributeur local ou l'un des centres-service énumérés sur la page de couverture de ce manuel.

Rallonge de 91 cm (3')

No de Cat. 48-53-0110

GARANTIE LIMITÉE DE L'OUTIL DE CINQ ANS

Chaque outil électrique MILWAUKEE (y compris le chargeur de batterie) est garanti à l'acheteur d'origine être exempt de vice du matériau et de fabrication. Sous réserve de certaines exceptions, MILWAUKEE réparera ou remplacera toute pièce d'un outil électrique qui, après examen, sera avéré par MILWAUKEE être affecté d'un vice du matériau ou de fabrication pendant une période de cinq (5) ans* après la date d'achat. Le retour de l'outil électrique, accompagné d'une copie de la preuve d'achat à un site d'entretien d'usine/de promotion des ventes de MILWAUKEE ou à un poste d'entretien agréé MILWAUKEE, en port prépayé et assuré, est requis pour que cette garantie s'applique. Cette garantie ne couvre pas les dommages que MILWAUKEE détermine être causés par des réparations ou des tentatives de réparation par quiconque autre que le personnel agréé par MILWAUKEE, des utilisations incorrectes, des altérations, des utilisations abusives, une usure normale, une carence d'entretien ou les accidents.

* La période de garantie pour les palans (palans à levier, à chaîne manuelle et à chaîne électrique), tous les blocs de batteries au NiCd, les projecteurs de travail (lampes torches sans fil), les radios de chantier et les chariots de travail industriels Trade Titan™ est d'un (1) an à partir de la date d'achat. *La période de garantie pour les blocs de batteries au lithium-ion qui ne sont pas équipés de la technologie V™ (entre 4 et 18 volts) est de deux (2) ans à partir de la date d'achat.

*Il existe une garantie séparée pour les blocs de batteries au lithium-ion avec technologie V™ de 18 volts et plus qui accompagnent les outils électriques sans fil de technologie V™ :

*Chaque batterie au lithium-ion 18 volts ou plus de technologie MILWAUKEE V™ est couverte par une garantie de remplacement gratuit initial pour 1 000 charges/2 ans. Ceci signifie qu'avant les 1 000 premières charges ou deux (2) années suivant la date d'achat/la première charge, une batterie de rechange sera fournie gratuitement au client pour toute batterie défectueuse. Par la suite, les clients recevront aussi une garantie supplémentaire calculée au prorata dans la limite de 2 000 charges ou cinq (5) années suivant la date d'achat/la première charge, à la première échéance. Ceci signifie que chaque client obtient une garantie au prorata supplémentaire de 1 000 charges ou de trois (3) années sur les batteries au lithium-ion 18 volts ou plus de technologie V™ en fonction de l'utilisation. Pendant cette période de garantie supplémentaire, le client ne paye que pour le service utilisable reçu au-delà des 1 000 premières charges/2 premières années, en fonction de la date de la première charge et du nombre de charges des batteries déterminés par le lecteur de service MILWAUKEE de technologie V™.

L'enregistrement de la garantie n'est pas nécessaire pour bénéficier de la garantie en vigueur sur un produit MILWAUKEE. Une preuve d'achat sous la forme d'un reçu de vente ou d'autres informations considérées suffisantes par MILWAUKEE est cependant requise. La date de fabrication du produit servira à établir la période de garantie si aucune preuve d'achat n'est fournie lorsqu'une demande de service sous garantie est faite.

L'ACCEPTATION DES RECOURS EXCLUSIFS DE RÉPARATION ET DE REMPLACEMENT DÉCRITS PAR LES PRÉSENTES EST UNE CONDITION DU CONTRAT D'ACHAT DE TOUT PRODUIT MILWAUKEE. SI VOUS N'ACCEPTÉZ PAS CETTE CONDITION, VOUS NE DEVEZ PAS ACHETER LE PRODUIT. EN AUCUN CAS MILWAUKEE NE SAURAIT ÊTRE RESPONSABLE DE TOUT DOMMAGE ACCESSOIRE, SPÉCIAL OU INDIRECT, DE DOMMAGES-INTÉRÊTS PUNITIFS OU DE TOUTE DÉPENSE, D'HONORAIRES D'AVOCATS, DE FRAIS, DE PERTE OU DE DÉLAIS ACCESSOIRES À TOUT DOMMAGE, DÉFAILLANCE OU DÉFAUT DE TOUT PRODUIT, Y COMPRIS NOTAMMENT LES PERTES DE PROFIT. CETTE GARANTIE EST EXCLUSIVE ET REMPLACE TOUTE AUTRE GARANTIE OU CONDITION, ÉCRITE OU VERBALE, EXPRESSE OU IMPLICITE. SANS LIMITER LA GÉNÉRALITÉ DES DISPOSITIONS PRÉCÉDENTES, MILWAUKEE DÉCLINE TOUTE GARANTIE IMPLICITE DE QUALITÉ MARCHANDE OU D'ADAPTATION À UNE UTILISATION OU À UNE FIN PARTICULIÈRE ET TOUTE AUTRE GARANTIE.

Cette garantie s'applique aux produits vendus aux États-Unis, au Canada et au Mexique uniquement.

REGLAS DE SEGURIDAD GENERALES PARA HERRAMIENTAS OPERADAS POR BATERÍA



ADVERTENCIA

LEA TODAS LAS ADVERTENCIAS E INSTRUCCIONES DE SEGURIDAD.

Si no sigue todas las advertencias e instrucciones, se pueden provocar una descarga eléctrica, un incendio o lesiones graves.

GUARDE TODAS LAS ADVERTENCIAS E INSTRUCCIONES PARA CONSULTARLAS EN EL FUTURO.

SEGURIDAD EN EL ÁREA DE TRABAJO

- **Mantenga limpia y bien iluminada el área de trabajo.** Las áreas desordenadas u oscuras contribuyen a que se produzcan accidentes.
- **No utilice herramientas eléctricas en lugares donde se puedan producir explosiones, como en aquellos donde hay líquidos, gases o polvo inflamables.** Las herramientas eléctricas producen chispas que pueden encender el polvo o las emanaciones.
- **No utilice herramientas eléctricas en un área donde pudiera haber cables eléctricos u objetos con carga eléctrica. Si la herramienta entra en contacto con un cable u objeto "con carga", la electricidad se transmitirá a sus piezas metálicas y le provocará una descarga eléctrica al operador.**
- **No utilice la herramienta eléctrica cerca de maquinaria en movimiento.** El cable se podría enredar en las partes móviles y jalarle la herramienta eléctrica, las manos y los brazos.
- **No la utilice cerca de fuentes de calor,** como radiadores, rejillas de calefacción central, estufas u otros dispositivos (incluso amplificadores) que irradian calor.
- **Mantenga a los niños y otras personas alejadas mientras utiliza una herramienta eléctrica.** Las distracciones pueden hacerle perder el control.
- **No exponga las herramientas eléctricas a la lluvia o a condiciones húmedas.** El agua que penetra en una herramienta eléctrica aumenta el riesgo de descarga

SEGURIDAD ELÉCTRICA

eléctrica. Séquese las manos antes de encender o apagar la herramienta y antes de retirar o instalar el cartucho de baterías.

SEGURIDAD PERSONAL

- **Manténgase alerta, preste atención a lo que está haciendo y use el sentido común cuando utilice una herramienta eléctrica. No use una herramienta eléctrica cuando está cansado o bajo la influencia de drogas, alcohol o medicinas.** Un instante de distracción cuando se utiliza una herramienta eléctrica puede tener como resultado lesiones graves.
- **Use un equipo de protección personal. Lleve siempre protección ocular.** Llevar equipo de protección apropiado para la situación, como una máscara antipolvo, zapatos de seguridad antideslizantes, casco o protección auditiva, reducirá las lesiones personales.
- **No estire el cuerpo para alcanzar mayor distancia. Mantenga los pies bien asentados y el equilibrio en todo momento.** Esto permite tener mejor control de la herramienta eléctrica en situaciones inesperadas.

USO Y CUIDADO DE LAS HERRAMIENTAS ELÉCTRICAS

- **Esta cámara para inspección visual no está diseñada para el uso médico ni para la inspección personal.**
- **Almacene las herramientas eléctricas fuera del alcance de los niños y no permita que las utilicen personas no familiarizadas con estos productos o estas instrucciones.** Las herramientas eléctricas son peligrosas en las manos de usuarios no capacitados.

- **Mantenimiento de las herramientas eléctricas.** Revise que no haya piezas móviles que estén desalineadas o que se agarroten, piezas rotas ni ninguna otra condición que pueda afectar el funcionamiento de la herramienta eléctrica. No utilice la herramienta si ésta emite humo u otras emanaciones. Si se encuentran daños, haga que le reparen la herramienta antes de usarla. Las herramientas mal mantenidas son la causa de muchos accidentes.
- **Use la herramienta eléctrica, los accesorios, las brocas, etc. según estas instrucciones, teniendo en cuenta las condiciones de trabajo y la tarea que se va a realizar.** El uso de la herramienta eléctrica para operaciones diferentes de aquellas para las que se diseñó podría ocasionar una situación peligrosa. Use solamente accesorios específicamente recomendados para esta herramienta. El uso de otros puede resultar peligroso.
- **Límpiala sólo con un paño seco.** Ciertos agentes limpiadores y disolventes son perjudiciales para los plásticos y para otras piezas aisladas. Algunos de estos agentes son los siguientes: gasolina, turpentina, decapante para laca, decapante para pintura, soluciones limpiadoras con cloro, amoníaco y detergentes para la casa que contengan amoníaco. Limpie el polvo y los fragmentos de los orificios de ventilación. Mantenga el asidero de la herramienta limpio, seco y sin aceite o grasa.
- **Antes de limpiar, siempre debe retirar el cartucho de baterías.**

USO Y CUIDADO DE LAS HERRAMIENTAS CON BATERÍA

- **Esta herramienta está diseñada para ser alimentada por una batería MILWAUKEE de 12 voltios (Cat. No. 48-11-2401).** No intente utilizar otras fuentes de voltaje ni de alimentación.
- **Recárguela solamente con el cargador especificado por el fabricante.** Un cargador que sea apropiado para un tipo de batería puede crear riesgo de incendio cuando se use con otra batería.
- **Use las herramientas eléctricas solamente con baterías específicamente diseñadas.** El uso de cualquier otro tipo de batería puede crear riesgo de lesiones o incendio.

- **Cuando no se use la batería manténgalo alejado de otros objetos de metal como clips para papel, monedas, llaves, clavos, tornillos u otros objetos de metal pequeños que puedan realizar una conexión entre los bornes.** Realizar un cortacircuito en los terminales de la batería puede provocar quemaduras o un incendio.
- **En condiciones extremas, puede salir líquido de la batería. Evite el contacto. Si se produce un contacto accidental, lavar con agua. Si el líquido entra en contacto con los ojos, buscar ayuda médica adicional.** El líquido que sale despedido de la batería puede causar irritaciones o quemaduras.

MANTENIMIENTO

- **Póngase en contacto con un centro de reparaciones MILWAUKEE para TODAS las reparaciones. Permita que un técnico de reparación calificado preste servicio a la herramienta eléctrica sólo con piezas de repuesto idénticas.** Esto asegurará que se mantenga la seguridad de la herramienta eléctrica.
- **No desarme la herramienta eléctrica ni intente cambiar el cableado del sistema eléctrico de la herramienta eléctrica.**

REGLAS ESPECIFICAS DE SEGURIDAD

- **Mantenga las etiquetas y las placas de identificación.** Tienen información importante. Si no se pueden leer o no están colocadas, póngase en contacto con un centro de servicio MILWAUKEE para obtener un repuesto gratuito.
- **ADVERTENCIA:** Los cambios o modificaciones hechos a esta unidad sin la autorización expresa del responsable del cumplimiento de la norma podrían anular la autoridad del usuario para manejar el equipo.

Se exige la utilización de cable blindado para cumplir con los requisitos de clase B de la sección B dentro de la sección 15 de las normas de la FCC.



El uso depende de las siguientes dos condiciones:

1. Este dispositivo no debe causar interferencias perjudiciales.
2. Este dispositivo debe admitir toda interferencia recibida, incluso aquella que pudiera dificultar el funcionamiento esperado.

Se ha verificado y determinado que este equipo cumple con los límites correspondientes a los dispositivos digitales de Clase B, de acuerdo con la sección 15 de las normas de la FCC. Estos límites se han diseñado para garantizar una protección razonable contra las interferencias perjudiciales en las instalaciones residenciales. Este equipo genera, utiliza y puede radiar energía de radiofrecuencia y, si no se instala y utiliza en conformidad con las instrucciones, puede generar interferencia perjudicial para la radiocomunicación.

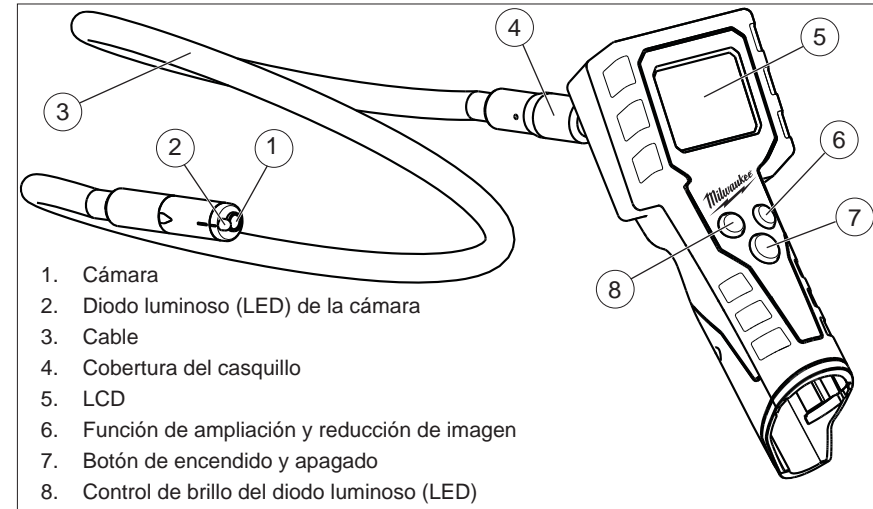
De todos modos, no se garantiza que no se produzca interferencia en una instalación concreta. Si este equipo, en efecto, genera interferencia perjudicial para la recepción de radio o televisión, que se puede determinar apagando y encendiendo el equipo, se insta al usuario a intentar corregir la interferencia mediante una o varias de las siguientes medidas:

- Reorientar o reubicar la antena receptora.
- Aumentar la distancia que separa al equipo del receptor.
- Solicitar ayuda al distribuidor o a un técnico de radio y televisión experto.

Se exige la utilización de cable blindado para cumplir con los requisitos de clase B de la sección B dentro de la sección 15 de las normas de la FCC.

Cat. No.	Volts
2310-21	12 cd

DESCRIPCION FUNCIONAL



1. Cámara
2. Diodo luminoso (LED) de la cámara
3. Cable
4. Cobertura del casquillo
5. LCD
6. Función de ampliación y reducción de imagen
7. Botón de encendido y apagado
8. Control de brillo del diodo luminoso (LED)

Simbología

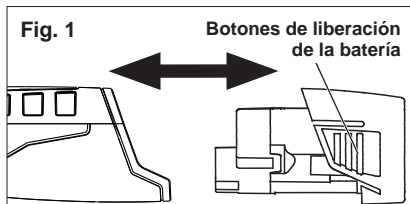
	El usuario debe leer el manual del operador.		Comisión Federal de Comunicaciones
	Use protección ocular		Volts corriente directa
	Para evitar una descarga eléctrica, no permita que el producto entre en contacto con partes eléctricas con carga.		

ENSAMBLAJE DE LA HERRAMIENTA

ADVERTENCIA

Recárguela solamente con el cargador especificado para la batería. Para obtener instrucciones específicas de carga, lea el manual del operador que se incluye con el cargador y la batería.

Cómo colocar y retirar el cartucho de baterías

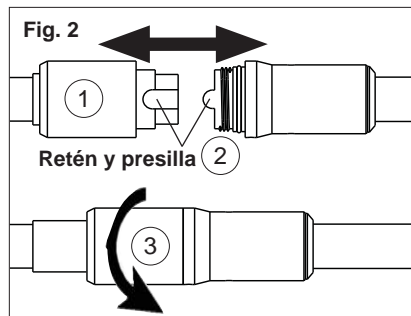


Para **retirar** el cartucho de baterías, presione los botones de liberación y jale del cartucho de baterías para sacarlo de la herramienta.

Para **colocar** el cartucho de baterías, deslícelo en el cuerpo de la herramienta. Asegúrese de que quede correctamente colocado.

Cómo conectar el cable

1. Deslice la cobertura del casquillo hacia atrás.
2. Alinee la lengüeta del cable con el retén del casquillo.
3. Una el casquillo y el cable y deslice la cobertura sobre la conexión. Apriete bien la cobertura.



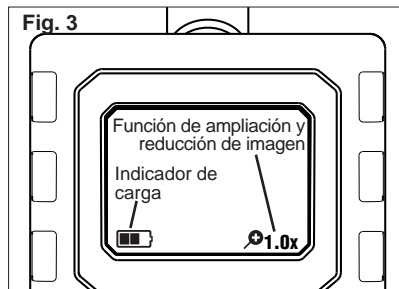
OPERACION

ADVERTENCIA

Para reducir el riesgo de una lesión, use siempre lentes de seguridad o anteojos con protectores laterales. Extraiga la batería antes de cambiar algún accesorio o de hacerle algún ajuste.

Cómo encender y apagar

Presione el botón de encendido y apagado para encender y apagar la herramienta. La herramienta se apagará automáticamente si no se la utiliza durante cinco minutos.



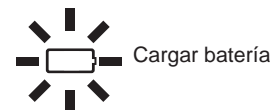
Indicador de carga

El indicador de carga se visualiza en el ángulo inferior izquierdo del LCD cuando la herramienta está encendida.

Carga completa

2/3 de carga

1/3 de carga



Función de ampliación y reducción de imagen

El nivel de esta función se visualiza en el ángulo inferior derecho del LCD cuando la herramienta está encendida.

Para aumentarlo en niveles de 0,1 entre 1,0 y 2,0 presione el botón para esta función. Para recorrer los niveles de ampliación y reducción de imagen, mantenga apretado este botón.

Diodo luminoso (LED) de la cámara

Se puede ajustar el diodo luminoso (LED) de la cámara en tres niveles de brillo y se lo puede apagar. Presione el botón del diodo luminoso (LED) de la cámara para aumentar el nivel de brillo o para apagarlo.

ADVERTENCIA

Para reducir el riesgo de explosión, descarga eléctrica y daños materiales, revise siempre el área de trabajo antes de comenzar una tarea. No permita que el cable entre en contacto con objetos eléctricos o móviles, o con sustancias químicas que impliquen un riesgo.

Detrás de las paredes: Corte los disyuntores de toda el área.

Dentro de las cañerías: Asegúrese de que no haya carga eléctrica en las cañerías antes de comenzar la inspección. No permita que el líquido fluya por el cable hasta el interior de la herramienta.

Uso en automóviles: Apague el motor y espere a que se enfríe antes de comenzar la inspección. No permita que la cámara para inspección visual o el cable entre en contacto con aceite, gasolina u otras sustancias corrosivas.

PRECAUCIÓN

Para reducir el riesgo de daño de la herramienta, no ejerza demasiada fuerza ni "retuerza" el cable. No utilice en áreas donde la cámara de inspección visual y el cable entren en contacto con sustancias corrosivas o aceitosas.

No utilice el cable para desbloquear obturaciones o mover obstrucciones. ¡Este dispositivo no es un destapa cañerías!

Cómo utilizar la cámara para inspección visual

1. Ajuste el cable para que se adapte a la abertura de mejor manera posible.
2. Luego de identificar los riesgos del área de trabajo, introduzca el cable y ajuste la iluminación y la función de ampliación y reducción de imagen según sus necesidades.

MANTENIMIENTO



ADVERTENCIA

Para reducir el riesgo de una lesión, desconecte siempre la herramienta antes de darle cualquier mantenimiento. Nunca desarme la herramienta ni trate de hacer modificaciones en el sistema eléctrico de la misma. Acuda siempre a un Centro de Servicio MILWAUKEE para TODAS las reparaciones.

Adopte un programa regular de mantenimiento y mantenga sus baterías y cargador en buenas condiciones. Después de 6 meses a un año, dependiendo del uso dado, envíe su herramienta, batería y cargador, al Centro de Servicio MILWAUKEE más cercano para que le hagan:

- Lubricación
- Inspección mecánica y limpieza (engranes, flechas, baleros, carcaza, etc.)
- Inspección eléctrica (batería, cargador, motor)
- Probarla para asegurar una adecuada operación mecánica y eléctrica

Mantenimiento de la herramienta

Si la herramienta no arranca u opera a toda su potencia con una batería completamente cargada, limpie, con una goma o borrador, los contactos de la batería y de la herramienta. Si aun así la herramienta no trabaja correctamente, regrésela, con el cargador y la batería, a un centro de servicio MILWAUKEE para que sea reparada.



ADVERTENCIA

Para reducir el riesgo de una lesión, descarga eléctrica o daño a la herramienta, batería o cargador, nunca los sumerja en líquidos ni permita que estos fluyan dentro de los mismos.

Limpieza

Limpie el polvo y suciedad de las ventilas del cargador y la herramienta. Mantenga los mangos y empuñaduras limpios, secos y libres de aceite o grasa. Use solo jabón neutro y un trapo húmedo para limpiar la herramienta, batería y el cargador, ya que algunos substancias y solventes limpiadores son dañinos a los plásticos y partes aislantes. Algunos de estos incluyen: gasolina, turpentina, thinner, lacas, thinner para pinturas, solventes para limpieza con cloro, amoníaco y detergentes caseros que tengan amoníaco. Nunca usa solventes inflamables o combustibles cerca de una herramienta.

Reparaciones

Si su herramienta, batería o cargador están dañados, envíela al centro de servicio más cercano de los listados en la cubierta posterior de este manual del operario.

ACCESORIOS



ADVERTENCIA

Para reducir el riesgo de lesiones, siempre extraiga la batería antes de cambiar o retirar accesorios. Utilice únicamente accesorios específicamente recomendados para esta herramienta. El uso de accesorios no recomendados podría resultar peligroso.

Para una lista completa de accesorios, refiérase a su catálogo MILWAUKEE Electric Tool o visite nuestro sitio en Internet: www.milwaukeetool.com. Para obtener un catálogo, contacte su distribuidor local o uno de los centros de servicio listados en la página de cubierta de este manual.

Cable de extensión de 91 cm (3')
Cat. No. 48-53-0110

GARANTÍA LIMITADA DE CINCO AÑOS

Cada herramienta eléctrica MILWAUKEE (incluyendo el cargador de batería) está garantizada sólo al comprador original de estar libre de defectos en el material y la mano de obra. Sujeto a ciertas excepciones, MILWAUKEE reparará o reemplazará por un período de cinco (5) años* después de la fecha de compra cualquier pieza en una herramienta eléctrica que, después de haber sido examinada, MILWAUKEE determine que está defectuosa en el material o la mano de obra. Regrese la herramienta eléctrica y una copia de la prueba de compra a un concesionario de soporte de ventas/servicio de fábrica MILWAUKEE o a una estación de servicio autorizada MILWAUKEE. Para que esta garantía sea efectiva, se requiere el flete pagado por anticipado y el seguro. Esta garantía no aplica a los daños que MILWAUKEE determine sean ocasionados por reparaciones o intentos de reparación por cualquier otro que personal autorizado por MILWAUKEE, uso indebido, alteraciones, abuso, desgaste y deterioro normal, falta de mantenimiento o accidentes.

* El plazo de garantía para los montacargas (de palanca, de cadena manual y de cadena eléctrica), de todas las baterías de Ni-Cd, de las linternas de trabajo (inalámbricas), de los radios para el lugar de trabajo, y de los carros Trade Titan™ para trabajo industrial es de un (1) año a partir de la fecha de compra. *El plazo de garantía para las baterías de iones de litio que no incluyan tecnología V™ (desde 4,0 voltios hasta 18,0 voltios) es de dos (2) años a partir de la fecha de compra.

*Existe una garantía por separado para las baterías de iones de litio con tecnología V™ (de 18 voltios o más) que viene incluida con las herramientas eléctricas que poseen tecnología V™:

*Cada batería de iones de litio de tecnología V™ de MILWAUKEE de 18 voltios o superior, está cubierta con una garantía de reemplazo gratuito por las primeras 1000 cargas/2 años. Esto significa que por lo que suceda primero, las primeras 1000 cargas o dos (2) años de la fecha de compra/primeras 1000 cargas, se proporcionará sin cargo al cliente, una batería de reemplazo por cualquier batería defectuosa. A partir de entonces, los clientes recibirán una garantía adicional en una base proporcional que puede ser hasta de las primeras 2000 cargas o cinco (5) años de la fecha de compra/primeras 1000 cargas, lo que suceda primero. Esto significa que cada cliente obtiene una garantía proporcional de 1000 cargas o tres (3) años adicionales en la batería de iones de litio de tecnología V™ de 18 voltios o superior, dependiendo de la cantidad de uso. Durante este período adicional de garantía, el cliente paga por sólo el servicio utilizable recibido durante y superior a las primeras 1000 cargas/2 años, de acuerdo a la fecha de la primera carga y al número de cargas encontradas en la batería a través del lector de servicio de tecnología V™ de MILWAUKEE.

El registro de la garantía no es necesario para obtener la garantía aplicable en un producto MILWAUKEE. Sin embargo, se requiere un recibo de compras u otra información similar que MILWAUKEE considere suficiente. Si no se presenta ningún comprobante de compra cuando se solicita el servicio de garantía, se tendrá en cuenta la fecha de fabricación del producto para establecer el período de garantía.

LA ACEPTACIÓN DE LOS REMEDIOS EXCLUSIVOS DE REPARACIÓN Y REEMPLAZO AQUÍ DESCRITOS ES UNA CONDICIÓN DEL CONTRATO EN LA COMPRA DE CADA PRODUCTO MILWAUKEE. SI NO ESTÁ DE ACUERDO CON ESTA CONDICIÓN, NO DEBERÍA COMPRAR ESTE PRODUCTO. EN NINGÚN CASO MILWAUKEE SERÁ RESPONSABLE POR CUALESQUIER DAÑO PUNITIVO, CONSECUENTE, ESPECIAL, INCIDENTAL O POR CUALESQUIER COSTO, HONORARIOS DE ABOGADO, GASTOS, PÉRDIDAS O RETRASOS QUE SE ARGUMENTE QUE SEAN UNA CONSECUENCIA DE CUALQUIER DAÑO A, FALLA DE, O DEFECTO EN CUALQUIER PRODUCTO, INCLUYENDO, PERO SIN LIMITARSE A, CUALQUIER RECLAMO POR PÉRDIDAS DE GANANCIAS. ESTA GARANTÍA ES EXCLUSIVA Y REEMPLAZA TODAS LAS DEMÁS GARANTÍAS O CONDICIONES, ORALES O ESCRITAS, EXPRESAS O IMPLÍCITAS. SIN LIMITAR LA GENERALIDAD DE LO ANTERIOR, MILWAUKEE RENUNCIA A TODA GARANTÍA IMPLÍCITA DE COMERCIABILIDAD O APTITUD PARA UN FIN O USO ESPECÍFICO Y DEMÁS GARANTÍAS.

Esta garantía es válida solamente en el producto vendido en los Estados Unidos, México y Canadá.

UNITED STATES - MILWAUKEE Service

MILWAUKEE prides itself in producing a premium quality product that is NOTHING BUT HEAVY DUTY®. Your satisfaction with our products is very important to us!

If you encounter any problems with the operation of this tool, or you would like to locate the *factory Service/Sales Support Branch* or *authorized service station*

nearest you, please call...

1-800-SAWDUST

(1.800.729.3878)

NATIONWIDE TOLL FREE

Monday-Friday • 8:00 AM - 4:30 PM • Central Time

or visit our website at

www.milwaukeetool.com

For service information, use the 'Service Center Search' icon found in the 'Parts & Service' section.

Additionally, we have a nationwide network of *authorized* Distributors ready to assist you with your tool and accessory needs. Check your "Yellow Pages" phone directory under "Tools-Electric" for the names & addresses of those nearest you or see the 'Where To Buy' section of our website.

Corporate After Sales Service - Technical Support

Brookfield, Wisconsin USA

•Technical Questions •Service/Repair Questions •Warranty

1-800-SAWDUST

(1.800.729.3878) fax: 1.800.638.9582

email: metproductsupport@milwaukeetool.com

Monday-Friday • 8:00 AM - 4:30 PM • Central Time

Canada - Service MILWAUKEE

MILWAUKEE est fier de proposer un produit de première qualité NOTHING BUT HEAVY DUTY®. Votre satisfaction est ce qui compte le plus!

En cas de problèmes d'utilisation de l'outil ou pour localiser le centre de service/ventes ou le *centre d'entretien* le plus proche, appelez le...

416.439.4181

fax: 416.439.6210

Milwaukee Electric Tool (Canada) Ltd

755 Progress Avenue

Scarborough, Ontario M1H 2W7

Notre réseau national de distributeurs *agréés* se tient à votre disposition pour fournir l'aide technique, l'outillage et les accessoires nécessaires. Composez le 416.439.4181 pour obtenir les noms et adresses des revendeurs les plus proches ou bien consultez la section «Où acheter» sur notre site web à l'adresse

www.milwaukeetool.com

MEXICO - Soporte de Servicio MILWAUKEE

Milwaukee Electric Tool, S.A. de C.V.

Blvd. Abraham Lincoln no. 13

Colonia Los Reyes Zona Industrial

Tlalnepantla, Edo. México C.P. 54073

Tel. (55) 5565-1414 Fax: (55) 5565-6874

Adicionalmente, tenemos una red nacional de distribuidores *autorizados* listos para ayudarte con su herramienta y sus accesorios. Por favor, llame al (55) 5565-1414 para obtener los nombres y direcciones de los más cercanos a usted, o consulte la sección 'Where to buy' (Dónde comprar) de nuestro sitio web en

www.milwaukeetool.com

MILWAUKEE ELECTRIC TOOL CORPORATION

13135 West Lisbon Road • Brookfield, Wisconsin, U.S.A. 53005

58-14-0150d1

02/08

Printed in USA